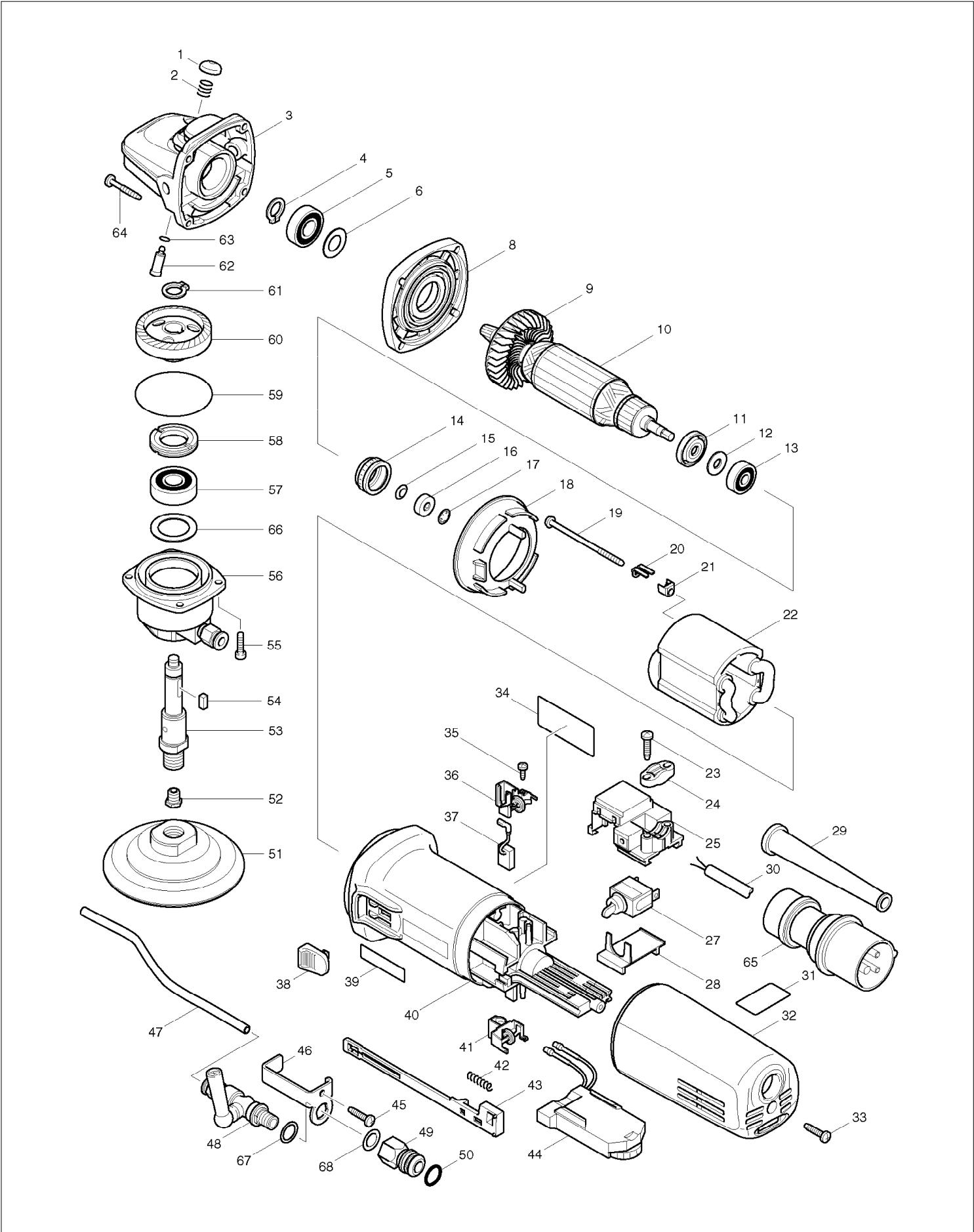


SERVICE DRAWING

MODEL NO. PW5000CH



SPARE PARTS LIST

MODEL NO. PW5000CH

ITEM	PART NO.	DESCRIPTION	QTY	NOTE
001	418067-8	PIN CAP	1	
002	233072-2	COMPRESSION SPRING 8	1	
003	153488-4	GEAR HOUSING COMPLETE	1	
004	961052-5	RETAINING RING S-12	1	
005	210105-0	BALL BEARING 6001LLU	1	
006	253084-9	FLAT WASHER 12	1	
008	317359-1	GEAR HOUSING COVER	1	
009	240033-5	FAN 57	1	
010	515268-0	ARMATURE ASS'Y 220V INC. 9,11,12,13	1	
011	681656-4	INSULATION WASHER	1	
012	253823-7	FLAT WASHER 7	1	
013	210027-4	BALL BEARING 627DDW	1	
014	421738-8	LABYRINTH RUBBER RING 22	1	
015	267756-0	WAVE WASHER 6	1	
016	688117-5	MAGNET SLEEVE	1	
017	259039-2	SELF LOCK 6	1	
018	413076-2	BAFFLE PLATE	1	
019	266258-3	TAPPING SCREW 4X70	2	
020	344871-8	RETAINER	2	
021	417237-6	INSULATION COVER	2	
022	626548-0	FIELD 220V	1	
023	265995-6	TAPPING SCREW 4X18	2	
024	687052-4	STRAIN RELIEF	1	
025	632945-0	SWITCH BLOCK	1	
027	651418-4	SWITCH ST115A-40	1	
028	687113-0	COVER	1	
029	682566-8	CORD GUARD 10	1	
030	665937-4	POWER SUPPLY CORD 1.0-2-5.0	1	
031	816398-3	INDICATION LABEL	1	
032	418453-3	REAR COVER	1	
033	265995-6	TAPPING SCREW 4X18	1	
035	266256-7	TAPPING SCREW PT3X10	4	
036	643765-7	BRUSH HOLDER	1	
037	191978-9	A.C. CARBON BRUSH CB-318	1	
038	417813-6	SWITCH KNOB	1	
039	819080-3	MAKITA LABEL	1	
040	418512-3	MOTOR HOUSING	1	
041	643805-1	BRUSH HOLDER	1	
042	233071-4	COMPRESSION SPRING 4	1	
043	417186-7	SWITCH LEVER	1	
044	631700-7	CONTROLLER	1	
045	265995-6	TAPPING SCREW 4X18	1	
046	345372-9	PLATE	1	
047	245031-4	HOSE	1	
048	154649-9	COCK COMPLETE	1	
049	331669-2	HOSE JOINT	1	
050	213107-5	O RING 12	1	
051	743080-0	PAD 100	1	
052	324407-9	NOZZLE	1	
053	324409-5	SPINDLE	1	
054	254202-2	KEY 4	1	
055	265490-6	HEX. SOCKET HEAD BOLT M4X16	4	
056	153717-5	BEARING BOX COMPLETE	1	
057	211129-9	BALL BEARING 6201DDW	1	
058	285841-7	BEARING RETAINER	1	
059	213673-2	O RING 52	1	
060	227455-6	SPIRAL BEVEL GEAR 38	1	
061	961052-5	RETAINING RING S-12	1	
062	256459-1	PIN	1	
063	213048-5	O RING 6	1	

SPARE PARTS LIST

MODEL NO. PW5000CH

ITEM	PART NO.	DESCRIPTION	QTY	NOTE
064	266257-5	TAPPING SCREW 4X28	4	
065	655033-6	PLUG	1	
066	267126-3	FLAT WASHER 22	1	
067	261128-1	RUBBER WASHER 12	1	
068	261127-3	TEFLON WASHER 10	1	
A01	152490-4	GRIP 36 COMPLETE	1	
A02	265083-9	+ FLAT HEAD SCREW M8X11	2	
A03	417322-5	HEAD COVER	1	
A04	781008-0	WRENCH 17	1	
