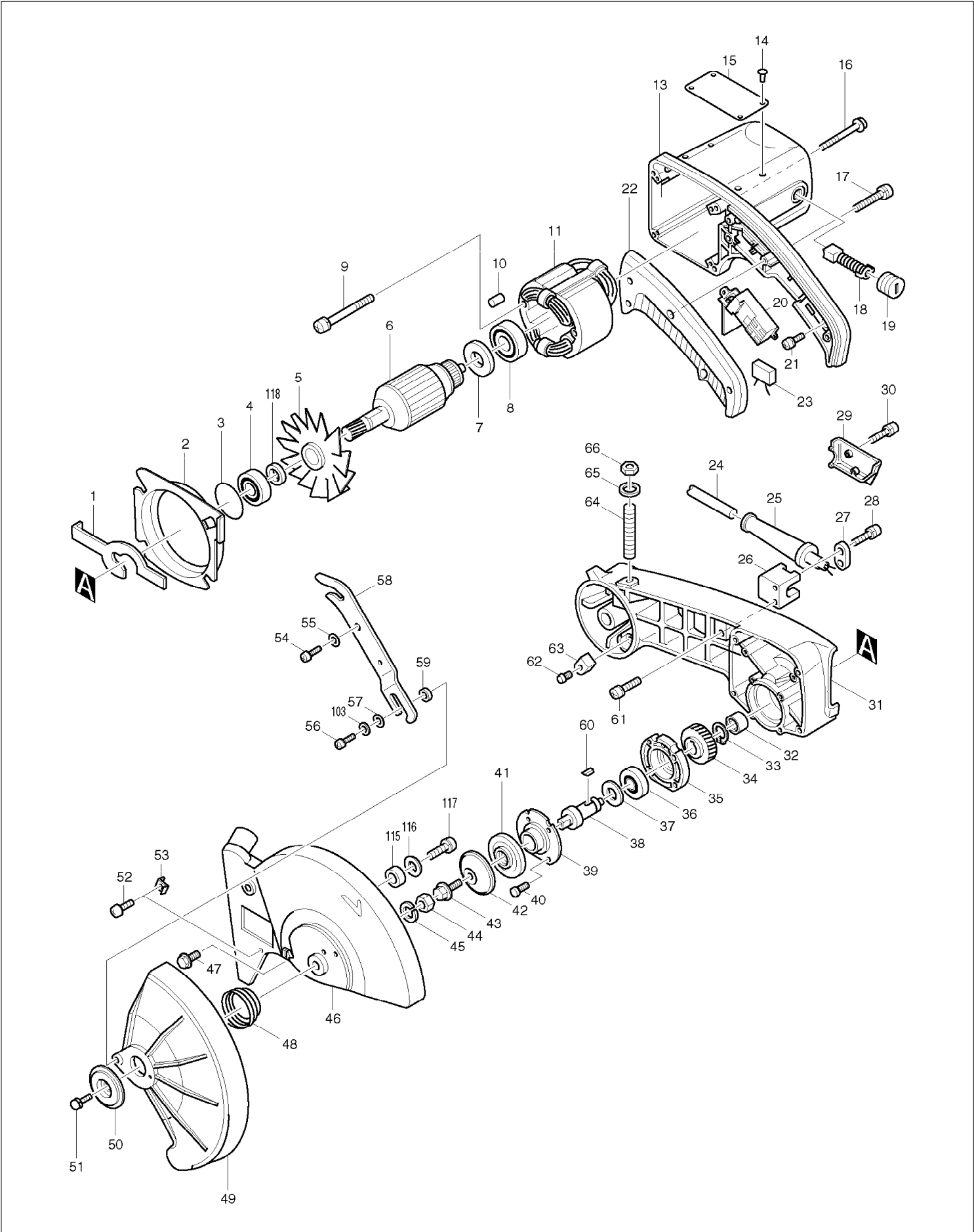


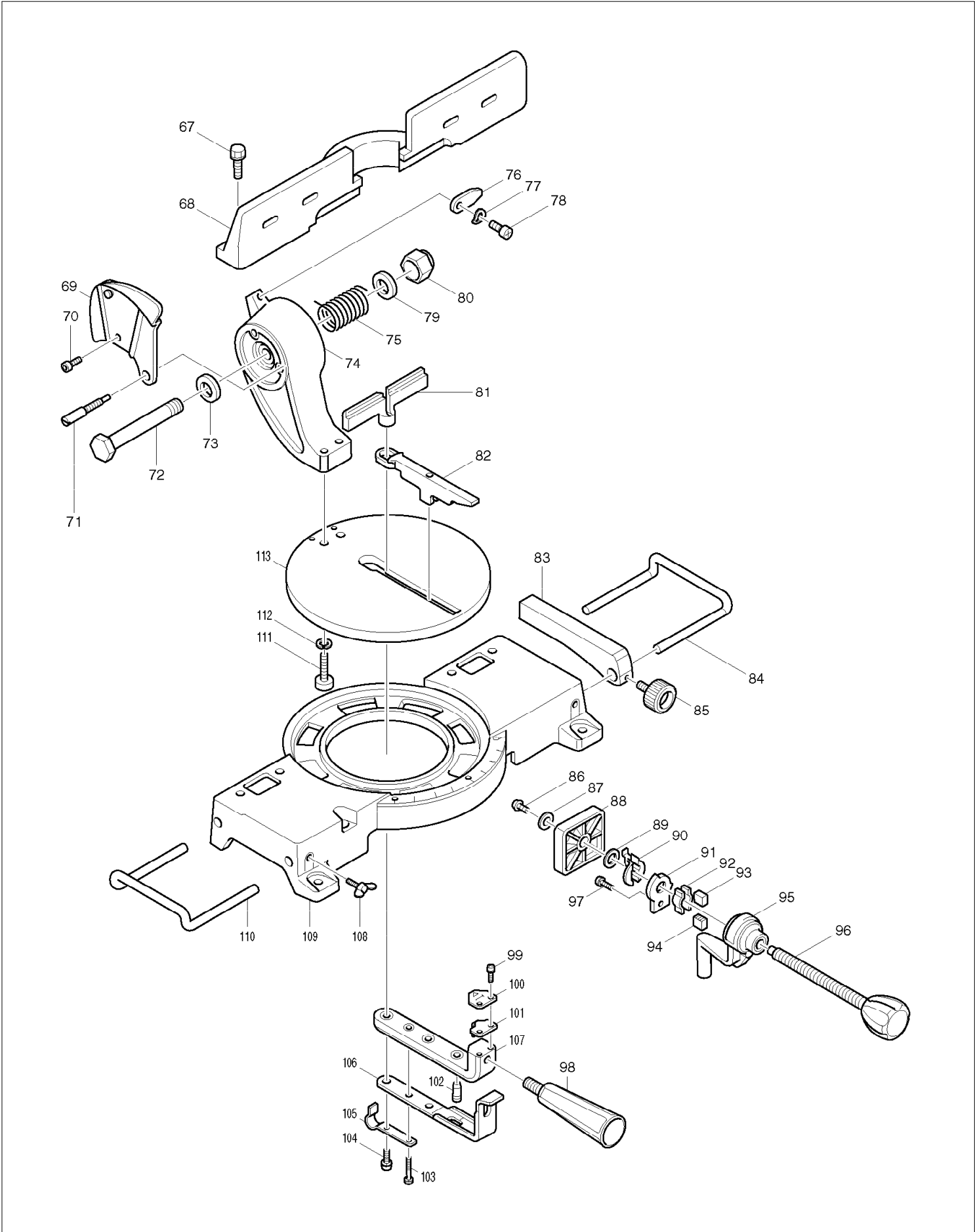
SERVICE DRAWING

MODEL NO. LS1440



SERVICE DRAWING

MODEL NO. LS1440



SPARE PARTS LIST

MODEL NO. LS1440

ITEM	PART NO.	DESCRIPTION	QTY	NOTE
001	163100-8	SHAFT LOCK	1	
002	411466-3	BAFFLE PLATE	1	
003	213459-4	O RING 32	1	
004	211201-7	BALL BEARING 6002LLB	1	
005	241514-2	FAN 92	1	
006	516728-5	ARMATURE ASS'Y 220V INC. 5,7,8	1	
007	681623-9	INSULATION WASHER	1	
008	211068-3	BALL BEARING 6200LB	1	
009	911290-9	PAN HEAD SCREW M5X65	2	
010	263013-4	RUBBER PIN 4	1	
011	526008-1	FIELD ASS'Y 220V	1	
013	152939-4	MOTOR HOUSING COMPLETE INC. 10	1	
014	953106-2	RIVET 0-5	4	
015	856017-9	NAME PLATE LS1440	1	
016	251335-4	+ PAN HEAD SCREW M5X80	4	
017	911158-9	PAN HEAD SCREW M4X30	4	
018	181044-0	CARBON BRUSH CB-153	1	
019	643650-4	BRUSH HOLDER CAP 6.5-13.5	2	
020	651153-4	SWITCH SGE220RD-1	1	
021	911101-8	PAN HEAD SCREW M4X6	1	
022	410836-3	HANDLE COVER	1	
023	645105-5	NOISE SUPPRESSOR	1	
024	666066-6	POWER SUPPLY CORD 1.0-2-2.5	1	
025	682503-2	CORD GUARD 8-90	1	
026	154261-5	CLAMP BASE COMPLETE	1	
027	687001-1	STRAIN RELIEF	1	
028	911133-5	PAN HEAD SCREW M4X18	2	
029	411467-1	CLAMP COVER	1	
030	911128-8	PAN HEAD SCREW M4X16	2	
031	157862-8	GEAR HOUSING	1	
032	212113-7	NEEDLE BEARING 1212	1	
033	961060-6	RETAINING RING S-20	1	
034	226411-3	HELICAL GEAR 41	1	
035	315055-5	BEARING BOX	1	
036	211306-3	BALL BEARING 6204LLB	1	
037	253327-9	THIN WASHER 20	1	
038	321729-8	SPINDLE	1	
039	285649-9	BEARING RETAINER 72	1	
040	912231-8	COUNTERSUNK HEAD SCREW M5X20	4	
041	224250-5	INNER FLANGE 90	1	
042	224249-0	OUTER FLANGE 90	1	
043	251644-1	HEX. FLANGE HEAD BOLT M8X20	1	
044	931302-2	HEX. NUT M6	1	
045	942151-2	SPRING WASHER 6	1	
046	154921-9	BLADE CASE COMPLETE	1	
047	265324-3	HEX. FLANGE HEAD BOLT M8X12	1	
048	231939-8	SPRING 30	1	
049	419482-9	SAFETY COVER	1	
050	343358-7	CENTER PLATE	1	
051	923311-5	CAP SQUARE NECK BOLT M6X12	1	
052	911206-4	PAN HEAD SCREW M5X10	2	
053	343492-3	BLADE STOPPER	2	
054	251333-8	+ PAN HEAD SCREW M8	1	
055	253878-2	FLAT WASHER 10	1	
056	251339-6	+ PAN HD. SCREW M8	1	
057	257146-5	RING 10	1	
058	343792-1	GUIDE ARM	1	
059	253731-2	FLAT WASHER 8	1	
060	254203-0	KEY 4	1	

SPARE PARTS LIST

MODEL NO. LS1440

ITEM	PART NO.	DESCRIPTION	QTY	NOTE
061	911121-2	PAN HEAD SCREW M4X14	2	
062	251399-8	+ PAN HEAD SCREW M5	1	
063	411479-4	CUSHION	1	
064	251959-6	-SCREW (FLAT POINT)M10X80	1	
065	941252-3	FLAT WASHER 10	1	
066	931501-6	HEX. NUT M10	1	
067	921551-9	HEX. BOLT M10X30	4	
068	316030-4	GUIDE FENCE	1	
069	163279-5	SUPPORTER	1	
070	922331-6	HEX. SOCKET HEAD BOLT M6X20	1	
071	322144-9	SET SCREW M10	1	
072	251698-8	HEX. BOLT M16	1	
073	253771-0	FLAT WASHER 16	1	
074	154929-3	ARM COMPLETE	1	
075	231533-6	TORSION SPRING 33	1	
076	341926-0	HANDLE LATCH	1	
077	253948-7	WAVE WASHER 8	1	
078	251298-4	+ PAN HEAD SCREW M8	1	
079	253771-0	FLAT WASHER 16	1	
080	252044-8	HEX. NUT M16-24	1	
081	419483-7	FENCE PLATE	1	
082	410849-4	KERF BOARD	1	
083	312511-6	SET PLATE	1	
084	322027-3	HOLDER	1	
085	251804-5	SCREW M6X13	1	
086	911317-5	PAN HEAD SCREW M6X14	1	
087	253047-5	FLAT WASHER 6	1	
088	315891-9	WISE PLATE	1	
089	253744-3	FLAT WASHER 12	1	
090	341912-1	NUT HOLDER	1	
091	342967-9	SET PLATE	1	
092	341911-3	PROTECTOR	2	
093	321490-7	RELEASE NUT R	1	
094	321491-5	RELEASE NUT L	1	
095	151201-4	WISE ARM COMPLETE	1	
096	271275-0	KNOB 45	1	
097	911216-1	PAN HEAD SCREW M5X14	1	
098	273436-8	GRIP 37	1	
099	911108-4	PAN HEAD SCREW M4X8	2	
100	816685-0	INDICATION PLATE	1	
101	342823-3	PLATE	1	
102	321981-8	LATCH PIN	1	
103	911256-9	PAN HEAD SCREW M5X35	1	
104	921456-3	HEX. BOLT M8X35	2	
105	232093-1	LEAF SPRING	1	
106	343359-5	LATCH SPRING	1	
107	311795-3	TURNING STAY	1	
108	924216-2	WING BOLT M5X15	2	
109	151246-2	BASE COMPLETE	1	
110	322027-3	HOLDER	1	
111	922562-7	HEX. SOCKET HEAD BOLT M10X40	2	
112	942251-8	SPRING WASHER 10	2	
113	311796-1	TURN BASE	1	
114	253878-2	FLAT WASHER 10	1	
115	262044-0	RUBBER RING 12	1	
116	253011-6	FLAT WASHER 6	1	
117	911216-1	PAN HEAD SCREW M5X14	1	
118	267710-4	WASHER 15	1	
400	782212-4	SOCKET WRENCH 13	1	
402	122330-0	DUST BAG ASS'Y	1	

INC. 403

SPARE PARTS LIST

MODEL NO. LS1440

ITEM	PART NO.	DESCRIPTION	QTY	NOTE
403	410602-8	FASTENER	1	
500	122563-7	WISE ASS'Y INC. 86-97	1	
900	321140-4	TUBE HOLDER	1	
901	911106-8	PAN HEAD SCREW M4X8	1	
908	164836-2	LOCK LEVER	1	
909	231297-2	COMPRESSION SPRING 9	1	
910	165129-0	LOCK PLATE	1	
911	251362-1	+ BINDING HEAD SCREW M6	1	
912	646071-9	CHOKE COIL	1	
913	416437-5	PROTECTOR R	1	
914	416438-3	PROTECTOR L	1	
915	345694-7	GUARD	1	
916	345196-3	SAFETY COVER	1	
917	266192-7	TAPPING SCREW 4X14	4	
918	266192-7	TAPPING SCREW 4X14	1	
919	911108-4	PAN HEAD SCREW M4X8	1	