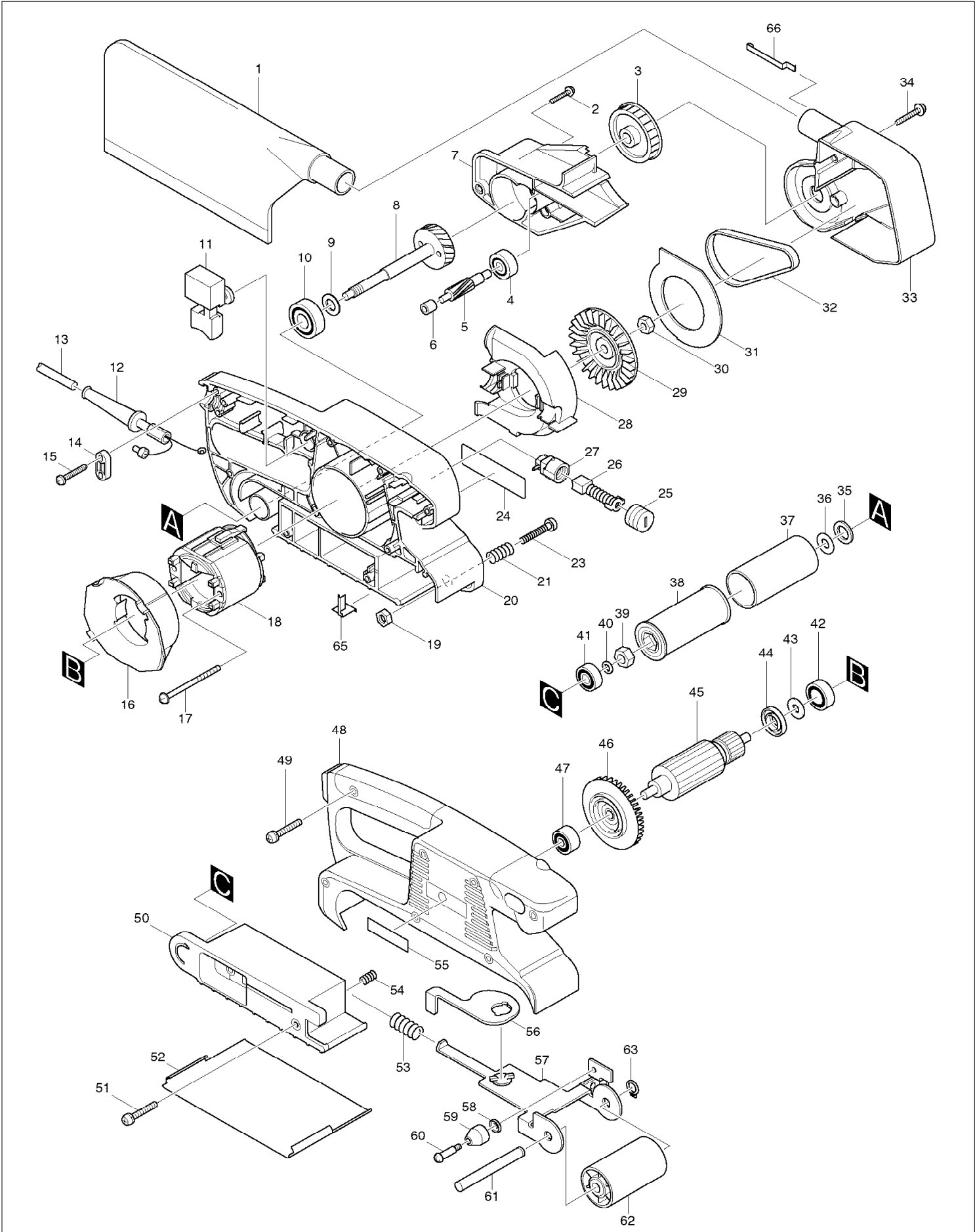


SERVICE DRAWING

MODEL NO. 9910



SPARE PARTS LIST

MODEL NO. 9910

ITEM	PART NO.	DESCRIPTION	QTY	NOTE
001	122548-3	DUST BAG ASS'Y	1	
002	265999-8	TAPPING SCREW 4X25	4	
003	222144-8	PULLEY 8.5-45.1	1	
004	210005-4	BALL BEARING 608DDW	1	
005	226494-3	HELICAL GEAR 6	1	
006	212009-2	NEEDLE BEARING 509	1	
007	416420-2	BRACKET	1	
008	153252-3	HELICAL GEAR 31 COMPLETE	1	
009	253758-2	FLAT WASHER 10	1	
010	211061-7	BALL BEARING 6000LLB	1	
011	651285-7	SWITCH	1	
012	682502-4	CORD GUARD 8-85	1	
013	665394-6	POWER SUPPLY CORD 1.0-2-2.5	1	220V
014	687052-4	STRAIN RELIEF	1	
015	265995-6	TAPPING SCREW 4X18	2	
016	416418-9	BAFFLE PLATE	1	
017	266052-3	TAPPING SCREW 4X60	2	
018	633393-6	FIELD 220-240V	1	220V/240V
019	931202-6	HEX. NUT M5	1	
020	150958-4	HOUSING L COMPLETE	1	
		INC. 6,19		
021	233219-8	COMPRESSION SPRING 6	1	
023	911252-7	PAN HEAD SCREW M5X30	1	
024	859229-3	NAME PLATE 9910	1	
025	643550-8	BRUSH HOLDER CAP 5-8	2	
026	191940-4	CARBON BRUSH CB-411	1	
027	643922-7	BRUSH HOLDER	2	
028	416416-3	SCROLL PLATE	1	
029	241660-1	FAN 68	1	
030	252153-3	HEX. NUT M6-10	1	
031	344584-1	PLATE	1	
032	225079-2	SYNCHRO BELT 6-300	1	
033	416415-5	BELT COVER	1	
034	265999-8	TAPPING SCREW 4X25	4	
035	267177-6	FLAT WASHER 12	1	
036	253865-1	FLAT WASHER 8	1	
037	422032-1	RUBBER SLEEVE 29	1	
038	316971-4	DRIVING ROLLER	1	
039	252154-1	HEX. NUT M8-13	1	
040	253077-6	FLAT WASHER 6	1	
041	210022-4	BALL BEARING 626DDW	1	
042	210023-2	BALL BEARING 627DDW	1	
043	253823-7	FLAT WASHER 7	1	
044	681658-0	INSULATION WASHER	1	
045	517243-2	ARMATURE ASS'Y 220-240V	1	220V/240V
		INC. 42-44,46,47		
046	240008-4	FAN 60	1	
047	211021-9	BALL BEARING 607LLB	1	
048	182981-1	HOUSING R	1	
		INC. 55		
049	265999-8	TAPPING SCREW 4X25	7	
050	416419-7	SHOE	1	
051	265999-8	TAPPING SCREW 4X25	2	
052	344586-7	STEEL PLATE	1	
053	233221-1	COMPRESSION SPRING 12	1	
054	231038-6	COMPRESSION SPRING 6	1	
055	819063-3	MAKITA LABEL	1	
056	344585-9	LEVER	1	
057	150837-6	TENSION ROLLER ARM COMPLETE	1	
058	267731-6	CUP WASHER 4	1	
059	416417-1	ROLLER	1	

SPARE PARTS LIST

MODEL NO. 9910

ITEM	PART NO.	DESCRIPTION	QTY	NOTE
060	265059-6	SHOULDER SCREW M4	1	
061	323776-5	TENSION ROLLER SHAFT	1	
062	152585-3	TENSION ROLLER COMPLETE	1	
063	961004-6	RETAINING RING S-8	1	
065	344703-9	EARTH SUPPORTER	1	
066	344701-3	EARTH PLATE	1	
A01	794551-0	ABRASIVE BELT 76X457 WA80	1	
A02	824733-1	PLASTIC CARRYING CASE	1	
A03	824732-3	INNER TRAY	1	
E02	645146-1	NOISE SUPPRESSOR	1	
E03	652259-1	CLAMP WASHER	4	
