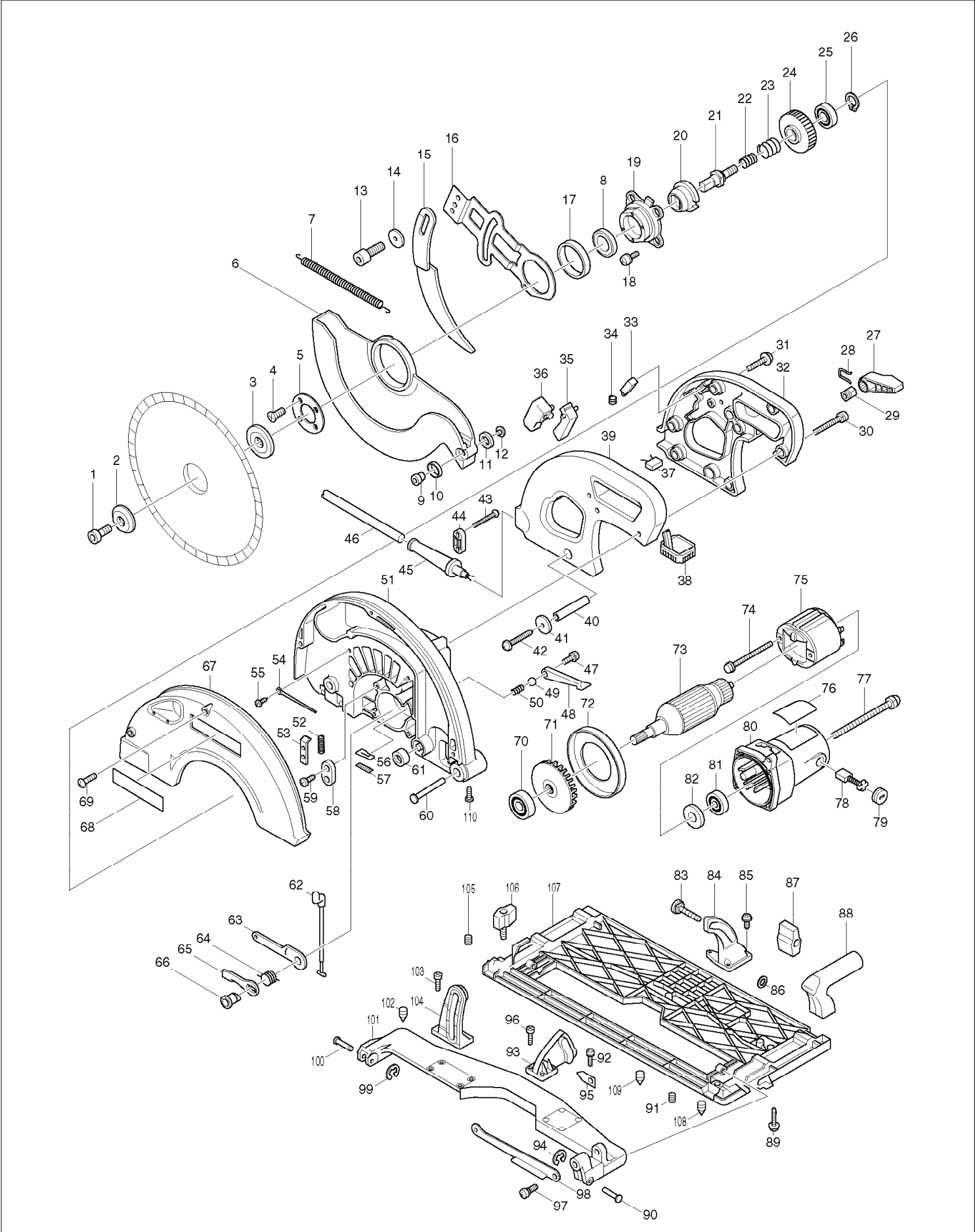


SERVICE DRAWING

MODEL NO. 5143R



SPARE PARTS LIST

MODEL NO. 5143R

ITEM	PART NO.	DESCRIPTION	QTY	NOTE
001	266083-2	HEX. SOCKET HEAD BOLT M10X25	1	
002	224327-6	OUTER FLANGE 65	1	
003	224328-4	INNER FLANGE 65	1	
004	912222-9	COUNTERSUNK HEAD SCREW M5X16	4	
005	285683-9	BEARING RETAINER 42-68	1	
006	318063-5	SAFETY COVER	1	
007	231842-3	TENSION SPRING 8	1	
008	211329-1	BALL BEARING 6204DDW	1	
009	415437-2	ROLLER PIN 6	1	
010	415438-0	ROLLER 20	1	
011	415438-0	ROLLER 20	1	
012	415437-2	ROLLER PIN 6	1	
013	922422-3	HEX. SOCKET HEAD BOLT M8X16	1	
014	267284-5	FLAT WASHER 8	1	
015	345751-1	RIVING KNIFE	1	
016	345753-7	RIVING KNIFE HOLDER	1	
017	344304-3	THICKNESS RING	1	
018	911223-4	PAN HEAD SCREW M5X16	4	
019	316753-4	BEARING BOX	1	
020	322830-2	LOCK SLEEVE	1	
021	322828-9	SPINDLE	1	
022	231969-9	LOCK SPRING 20	1	
023	231968-1	LOCK SPRING 27	1	
024	226453-7	HELICAL GEAR 57	1	
025	211104-5	BALL BEARING 6001	1	
026	961052-5	RETAINING RING S-12	1	
027	272230-5	LEVER 54	1	
028	231955-0	RING SPRING 12	1	
029	252134-7	HEX. NUT M8	1	
030	911263-2	PAN HEAD SCREW M5X40	3	
031	266041-8	TAPPING SCREW 5X25	4	
032	182773-8	HANDLE SET INC. 39	1	
033	415440-3	LOCK-OFF BUTTON	1	
034	231230-4	COMPRESSION SPRING 4	1	
035	415439-8	SWITCH LEVER	1	
036	651923-1	SWITCH TG70B	1	
037	645105-5	NOISE SUPPRESSOR	1	
038	631209-9	CONTROLLER 200/220/240V	1	
039	182773-8	HANDLE SET INC. 32	1	
040	331469-0	PIPE 9	1	
041	941201-0	FLAT WASHER 8	1	
042	266019-1	CAP SQUARE NECK BOLT M8X98	1	
043	265995-6	TAPPING SCREW 4X18	2	
044	687052-4	STRAIN RELIEF	1	
045	682540-6	CORD GUARD 9.3-90	1	
046	665883-1	POWER SUPPLY CORD 1.0-2-5.0	1	
047	911213-7	PAN HEAD SCREW M5X12	1	
048	416250-1	LEVER 110	1	
049	216004-4	STEEL BALL 7.9	1	
050	231240-1	COMPRESSION SPRING 7	1	
051	158091-6	BLADE CASE COMPLETE	1	
052	233140-1	COMPRESSION SPRING 5	1	
053	344294-0	SHAFT LOCK	1	
054	322829-7	GUIDE ROD	1	
055	266026-4	TAPPING SCREW BIND CT 4X12	1	
056	443098-8	FELT	1	
057	344263-1	PLATE	1	
058	687053-2	STRAIN RELIEF	1	
059	266034-5	TAPPING SCREW CT 4X16	2	

SPARE PARTS LIST

MODEL NO. 5143R

ITEM	PART NO.	DESCRIPTION	QTY	NOTE
060	268018-9	PIN 10	1	
061	421966-5	CUSHION	1	
062	353017-5	WIRE ROPE	1	
063	344295-8	ARM	1	
064	231625-1	TORSION SPRING 23	1	
065	344296-6	CAM PLATE	1	
066	268009-0	PIN 12	1	
067	415817-2	BLADE CASE COVER	1	
068	819091-8	MAKITA LABEL	1	
069	266036-1	TAPPING SCREW BIND CT 5X20	5	
070	211236-8	BALL BEARING 6002DDW	1	
071	241889-9	FAN 74	1	
072	415768-9	BAFFLE PLATE	1	
073	516668-7	ARMATURE ASS'Y 220/240V INC. 81,82	1	
074	911947-2	PAN HEAD SCREW M5X90	2	
075	596323-7	FIELD ASS'Y 220-240V	1	
076	857936-2	NAME PLATE 5143R	1	
077	911288-6	PAN HEAD SCREW M5X65	4	
078	191953-5	CARBON BRUSH CB-203	1	
079	643700-5	BRUSH HOLDER CAP 7-18	2	
080	158628-9	MOTOR HOUSING 200-240V	1	
081	210042-8	BALL BEARING 629LLB	1	
082	681633-6	INSULATION WASHER	1	
083	923471-3	CAP SQUARE NECK BOLT M8X50	1	
084	316747-9	ANGULAR PLATE GUIDE	1	
085	266036-1	TAPPING SCREW BIND CT 5X20	3	
086	941201-0	FLAT WASHER 8	1	
087	252626-6	WING NUT	1	
088	415815-6	GRIP	1	
089	266041-8	TAPPING SCREW 5X25	2	
090	268013-9	PIN 8	1	
091	265993-0	H.S.SET SCREW(CUP POINT)M4X5	1	
092	266026-4	TAPPING SCREW BIND CT 4X12	1	
093	316879-2	ANGULAR PLATE	1	
094	961012-7	STOP RING E-6	1	
095	343902-0	POINTER	1	
096	266036-1	TAPPING SCREW BIND CT 5X20	4	
097	265011-4	+ BINDING HEAD SCREW M5	1	
098	345722-8	LINK	1	
099	961012-7	STOP RING E-6	1	
100	268013-9	PIN 8	1	
101	316880-7	BASE BRIDGE	1	
102	266085-8	H.S.SET SCREW(FLAT POINT)M6X10	1	
103	266036-1	TAPPING SCREW BIND CT 5X20	3	
104	316748-7	DEPTH GUIDE	1	
105	265993-0	H.S.SET SCREW(CUP POINT)M4X5	1	
106	251858-2	SCREW M6X15	4	
107	316752-6	BASE	1	
108	266085-8	H.S.SET SCREW(FLAT POINT)M6X10	1	
109	266085-8	H.S.SET SCREW(FLAT POINT)M6X10	1	
110	266026-4	TAPPING SCREW BIND CT 4X12	1	
113	442125-8	PACKING	1	
A01	A-80014	T.C.T. SAW BLADE 355X20TX30	1	
A02	152498-8	GUIDE RULE	1	
A03	783204-6	HEX. WRENCH 6	1	
E01	651941-9	SWITCH V-15-2A5	1	
E03	654510-5	INSULATED CONNECTOR 5.5-SD	2	
E04	654079-9	INSULATED RECEPTACLE DF1.25	1	
E05	654509-0	CONNECTOR 2-SD	2	
E06	654082-0	INSULATED RECEPTACLE DF2-187A	1	

SPARE PARTS LIST

MODEL NO. 5143R

ITEM	PART NO.	DESCRIPTION	QTY	NOTE
E08	192490-2	JOINT	1	
