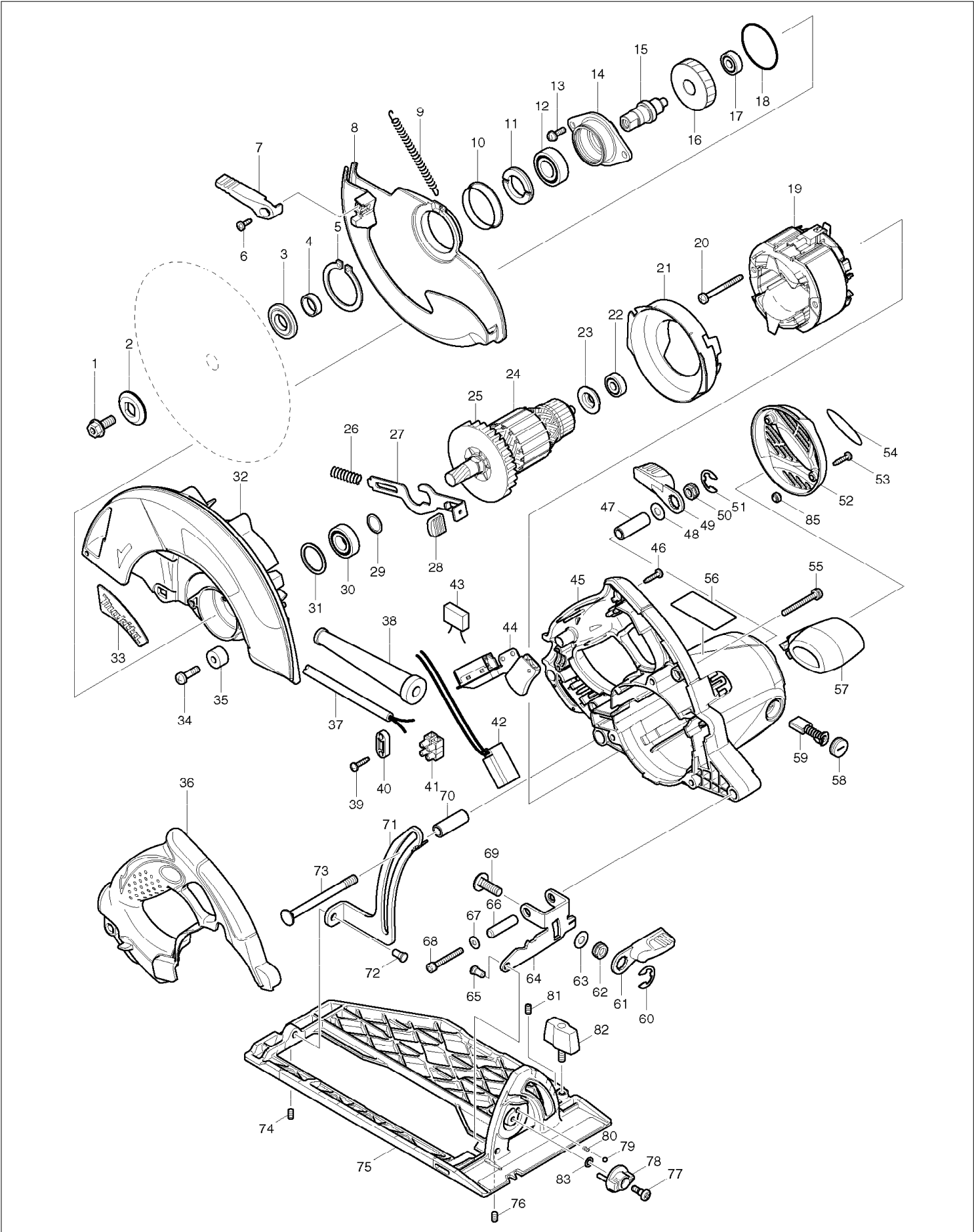


SERVICE DRAWING

MODEL NO. 5008MG



SPARE PARTS LIST

MODEL NO. 5008MG

ITEM	PART NO.	DESCRIPTION	QTY	NOTE
001	266283-4	HEX. SOCKET HEX. BOLT M8X20	1	
002	224409-4	OUTER FLANGE 35	1	
003	224412-5	INNER FLANGE 35	1	
004	257279-6	RING 17	1	
005	961201-4	RETAINING RING S-42	1	
006	266398-7	TAPPING SCREW BIND CT 4X12	1	
007	272258-3	LEVER 37	1	
008	318175-4	SAFETY COVER	1	
009	231848-1	TENSION SPRING 4	1	
010	345422-0	SPACER	1	
011	285848-3	BEARING RETAINER 23-36	1	
012	211275-8	BALL BEARING 6003DDW	1	
013	911223-4	PAN HEAD SCREW M5X16	2	
014	318056-2	BEARING BOX	1	
015	324690-8	SPINDLE	1	
016	226662-8	HELICAL GEAR 43	1	
017	211031-6	BALL BEARING 608LLB	1	
018	213623-7	O RING 46	1	
019	596289-1	FIELD ASS'Y 240V	1	
020	266397-9	TAPPING SCREW BIND 5X50	2	
021	419548-5	BAFFLE PLATE	1	
022	211031-6	BALL BEARING 608LLB	1	
023	681625-5	INSULATION WASHER	1	
024	517763-6	ARMATURE ASS'Y 220V INC. 22,23,25,29,30	1	
025	240003-4	FAN 80	1	
026	231297-2	COMPRESSION SPRING 9	1	
027	345717-1	SHAFT LOCK	1	
028	286275-7	CAP	1	
029	267280-3	FLAT WASHER 15	1	
030	211236-8	BALL BEARING 6002DDW	1	
031	261132-0	URETHANE WASHER 26	1	
032	188446-1	BLADE CASE SET INC. 33	1	
033	819234-2	MAKITA LOGO PLATE	1	
034	251247-1	+ PAN HEAD SCREW M6X20	1	
035	262552-1	RUBBER SLEEVE 6	1	
036	419553-2	HANDLE COVER	1	
037	665865-3	POWER SUPPLY CORD 1.0-2-2.5	1	
038	682564-2	CORD GUARD	1	
039	266326-2	TAPPING SCREW 4X18	2	
040	687124-5	STRAIN RELIEF	1	
041	654531-7	TERMINAL BLOCK 2P	1	
042	631710-4	LIGHT CIRCUIT	1	
043	645200-1	NOISE SUPPRESSOR	1	
044	651189-3	SWITCH TG933TN-2	1	
045	158100-1	MOTOR HOUSING COMPLETE	1	
046	266326-2	TAPPING SCREW 4X18	5	
047	331719-3	PIPE 9	1	
048	941201-0	FLAT WASHER 8	1	
049	272253-3	LEVER 56	1	
050	252199-9	HEX. NUT M8-13	1	
051	257953-6	BOW STOP RING E-12	1	
052	188448-7	REAR COVER SET INC. 54	1	
053	266326-2	TAPPING SCREW 4X18	2	
054	819237-6	MAKITA LOGO LABEL	1	
055	911268-2	PAN HEAD SCREW M5X45	3	
056	863999-8	5008MG NAME PLATE	1	
057	419550-8	FRONT GRIP	1	
058	643650-4	BRUSH HOLDER CAP 6.5-13.5	2	

SPARE PARTS LIST

MODEL NO. 5008MG

ITEM	PART NO.	DESCRIPTION	QTY	NOTE
059	181044-0	CARBON BRUSH CB-153	1	
060	257953-6	BOW STOP RING E-12	1	
061	272253-3	LEVER 56	1	
062	252199-9	HEX. NUT M8-13	1	
063	941201-0	FLAT WASHER 8	1	
064	345835-5	ANGULAR GUIDE	1	
065	256511-5	SHOULDER PIN 6-7	1	
066	257759-2	SLEEVE 6	1	
067	941101-4	FLAT WASHER 5	1	
068	922261-1	HEX. SOCKET HEAD BOLT M5X40	1	
069	266396-1	FLAT HEADSQUARE NECKBOLT M8X24	1	
070	331719-3	PIPE 9	1	
071	345833-9	DEPTH GUIDE	1	
072	256511-5	SHOULDER PIN 6-7	1	
073	266237-1	CAP SQUARE NECK BOLT M8X90	1	
074	266229-0	H.S.SET SCREW(CUP POINT)M5X8	1	
075	158423-7	BASE COMPLETE	1	
076	266229-0	H.S.SET SCREW(CUP POINT)M5X8	1	
077	251370-2	+ PAN HEAD SCREW M5	1	
078	419549-3	DIAL 27	1	
079	216008-6	STEEL BALL 4	1	
080	233314-4	COMPRESSION SPRING 4	1	
081	266229-0	H.S.SET SCREW(CUP POINT)M5X8	1	
082	251858-2	SCREW M6X15	1	
083	253811-4	FLAT WASHER 5	1	
085	450351-5	SPACER	2	
A01	164095-8	GUIDE RULE	1	
A02	783204-6	HEX. WRENCH 6	1	
A03	450079-5	DUST NOZZLE	1	
A04	911223-4	PAN HEAD SCREW M5X16	1	
A05	D-29050	T.C.T.SAW BLADE 210X30X24T	1	